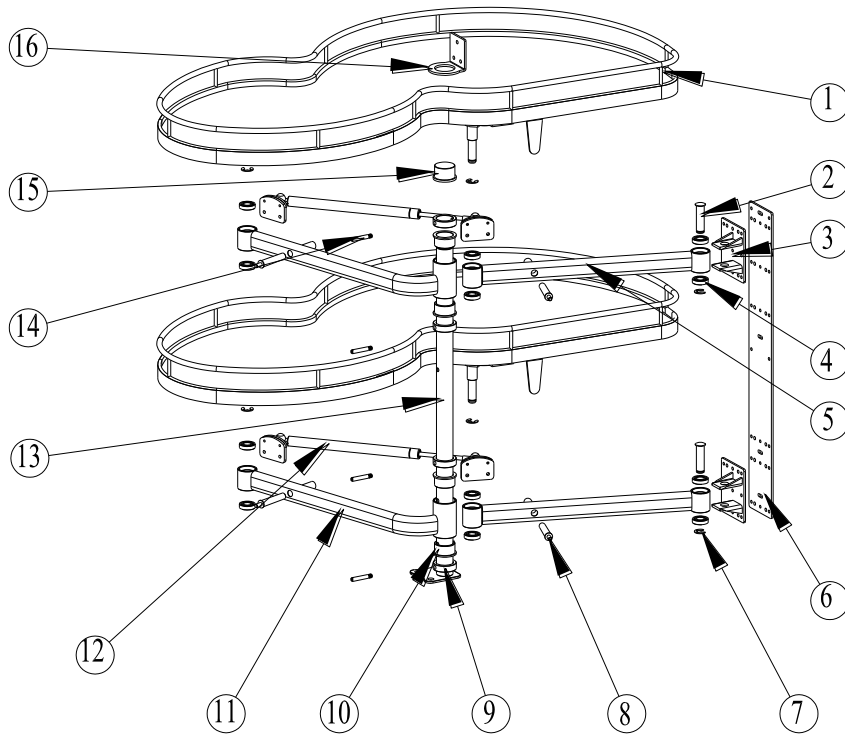


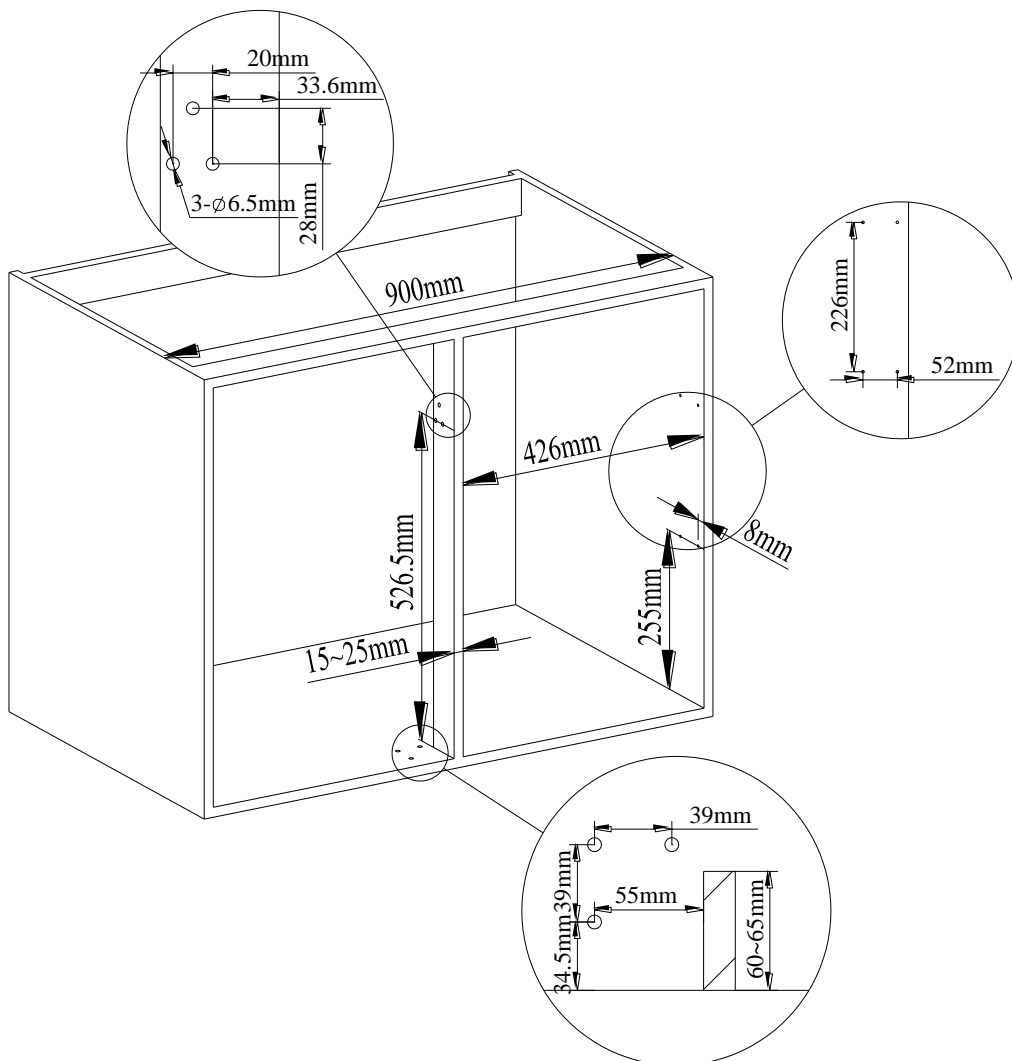
Assembly instructions for Moving Peanut (Right)

Exploded view

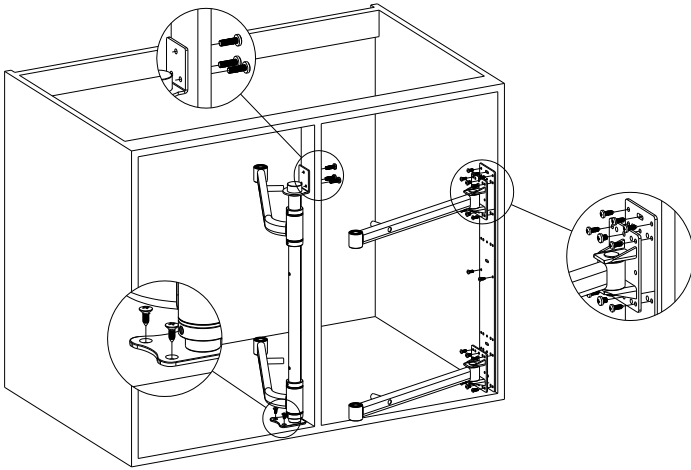


No.	Name
1	Peanut
2	Axis
3	Side Bracket
4	Bearing
5	Straight Bar
6	Fixed Plate
7	E Rings
8	Buffer
9	Bush1
10	Bush2
11	Curve Arm
12	Gas Spring
13	Pole
14	Pin
15	Bush3
16	Post Bracket

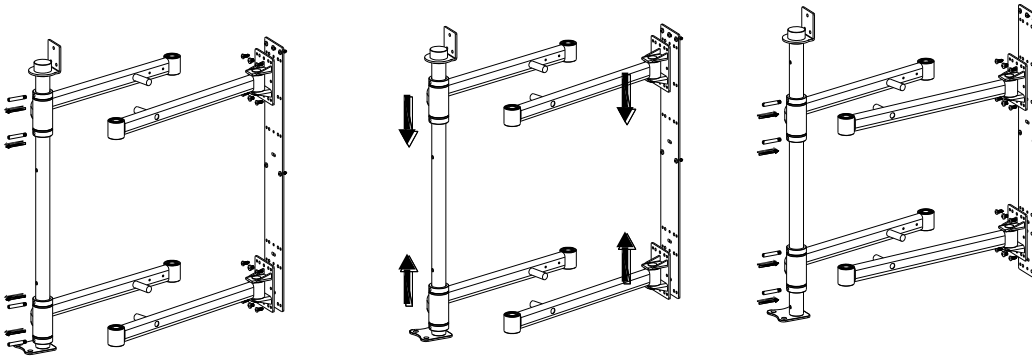
1. Locate screw and bolting position



2. Mounting of arms and pole

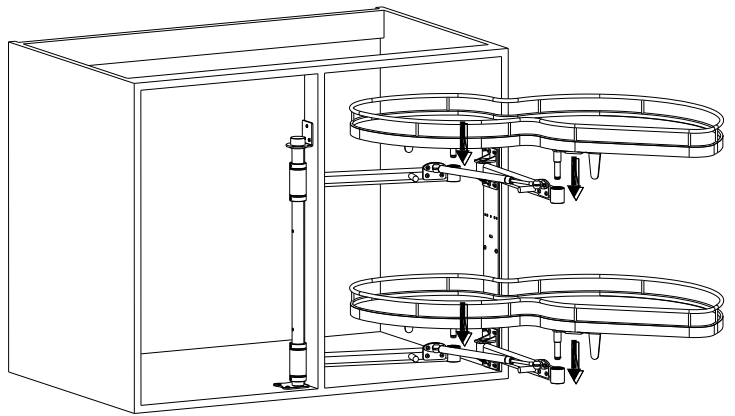
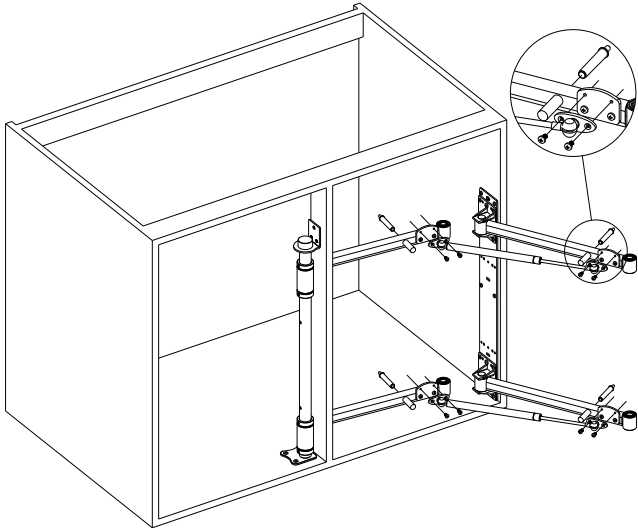


How to adjust the position of the curve arm and straight bar



3. Mounting of gas spring and buffer

4. Fitting of the peanuts



5. Complete installation

