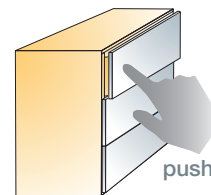
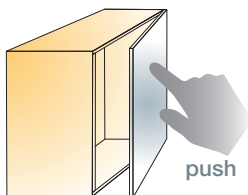


Push Latch

For wooden doors and drawers



Push latch



Push latch



Cross mounting plate



Linear mounting plate

Item number

Bronze

Push latch

915-0X59 →

381

Cross m. plate

915-4183 →

381

Linear m. plate

915-4175 →

381

915-0X59-381-K1



200 Sets

915-0X59-381-K2

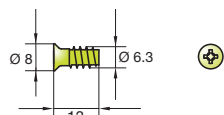


200 Sets

200 Pcs

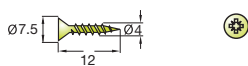
Made of steel and plastic

Fixing screws for mounting plates



Euro screws
821-6323-050

10000 Pcs

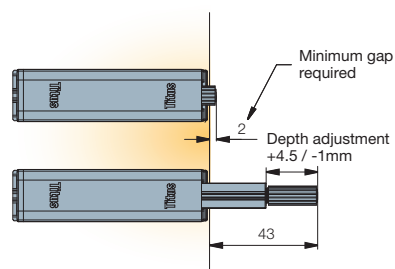
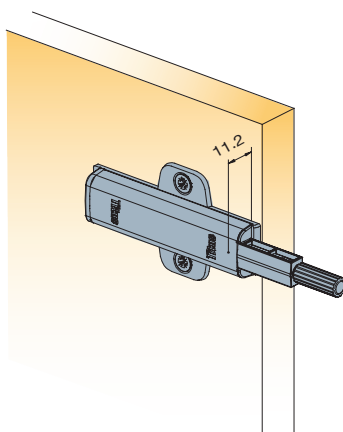
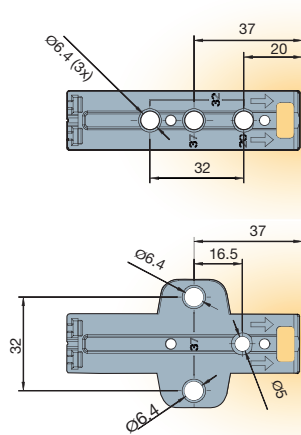


Chipboard screws

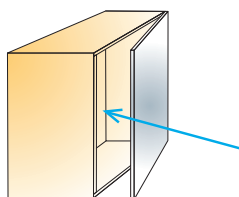
- Works with standard concealed hinges and drawers
- Effortless opening with just a light touch
- Depth adjustment ensures reliable closing and consistent performance in cases of inaccurate drilling
- 'Safety click' feature for easy detachment of the mechanism from the mounting plate

Drilling pattern

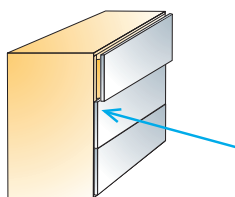
Dimensions



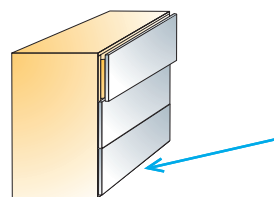
Positioning



Close to the 'touch opening point' on the side opposite to hinges



On the cabinet side; gap between drawer and cabinet side = min 12mm



On the drawer bottom; in the middle of drawer

Push latch works with standard hinges.

Push latch works on drawer; the gap between the drawer and the cabinet side = min. 12 mm