

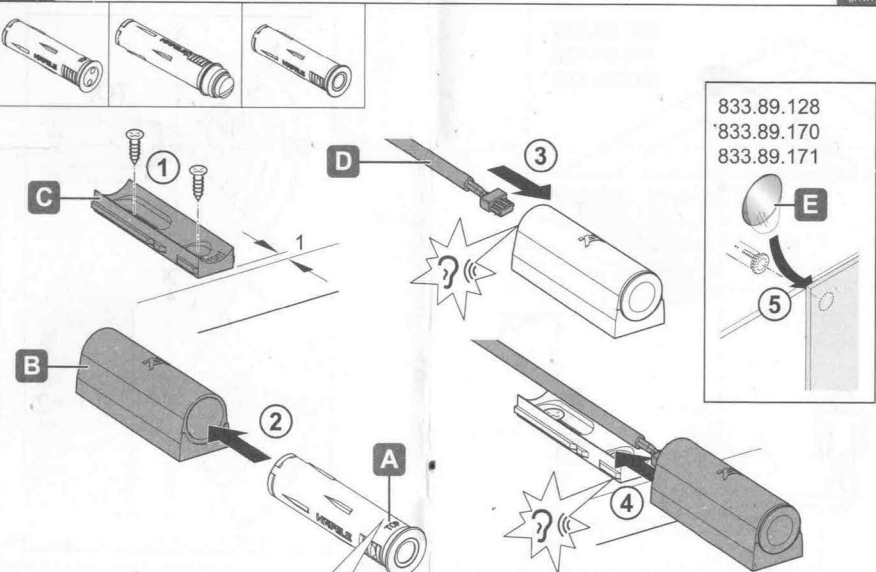
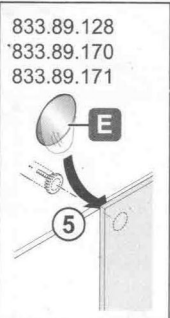


**1.2**  



**833.89.128**  
**833.89.170**  
**833.89.171**



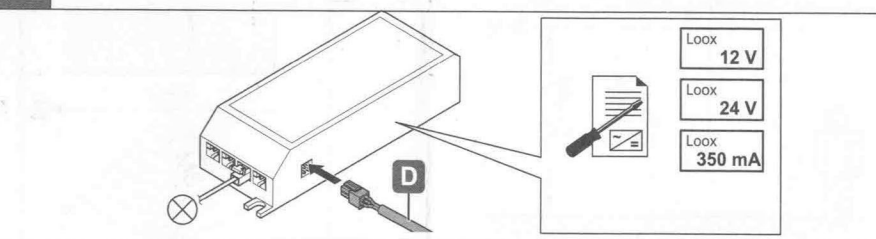
**833.89.126**  
**833.89.127**  
**833.89.128**  
**833.89.166**  
**833.89.167**  
**833.89.170**  
**833.89.168**  
**833.89.169**  
**833.89.171**

**833.89.129**  
**833.89.172**  
**833.89.173**


**833.89.058**  
**833.89.174**  
**833.89.175**

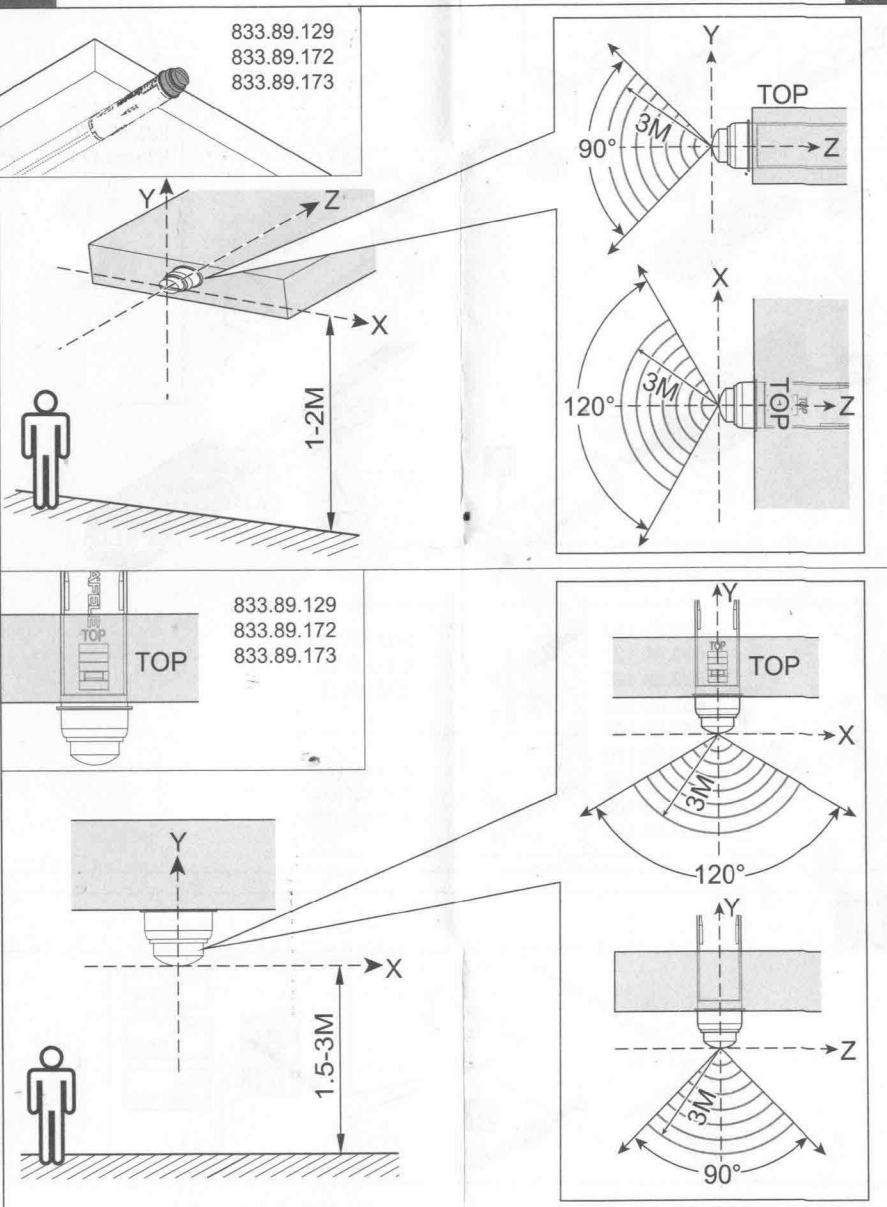
**TOP**

**2**



**Loox 12 V**  
**Loox 24 V**  
**Loox 350 mA**

**i** 



**833.89.129**  
**833.89.172**  
**833.89.173**

**833.89.129**  
**833.89.172**  
**833.89.173**

**833.89.129**  
**833.89.172**  
**833.89.173**

**1-2M**

**1.5-3M**

**90°**  
**120°**  
**90°**

**3M**  
**3M**  
**3M**

**TOP**  
**TOP**  
**TOP**

**Y**  
**Z**  
**X**  
**X**  
**Z**  
**Y**  
**Z**

732.28.406

HDE 10.11.2020

732.28.406

HDE 10.11.2020



833.89.126-129  
833.89.166-175  
833.89.058

12 V System	24 V System	350 mA System		$d$ (mm)	T <sub>A</sub>			
833.89.126	833.89.166	833.89.168			0-75	Ø13.5 x 45.9	≥ Ø 14.5 x 55.9	Loox 12V
833.89.127	833.89.167	833.89.169		0-75	Loox 24V			
833.89.128	833.89.170	833.89.171			0-100	Ø13.5 x 45.9	≥ Ø 14.5 x 55.9	Loox 350 mA
833.89.129	833.89.172	833.89.173			0-3000			Ø13.5 x 55.7
833.89.058	833.89.174	833.89.175		N/A	N/A	Ø13.5 x 45.9	≥ Ø 14.5 x 55.9	

732.28.406

833.89.126 833.89.168  
833.89.127 833.89.169  
833.89.128 833.89.171  
833.89.166  
833.89.167  
833.89.170

833.89.129  
833.89.172  
833.89.173

833.89.058  
833.89.174  
833.89.175

**+**

2x 833.89.092   
833.89.163   
833.89.165

**+**

X	
500	833.89.140
1000	833.89.141
2000	833.89.142

HDE 10.11.2020

**i**

100 - 240 V~

CE EAC IP20

**1.1** 12 mm

833.89.126-128  
833.89.166-171

Ø 13.5

**A**

Ø 12

**B**

Ø 12

732.28.406

HDE 10.11.2020